

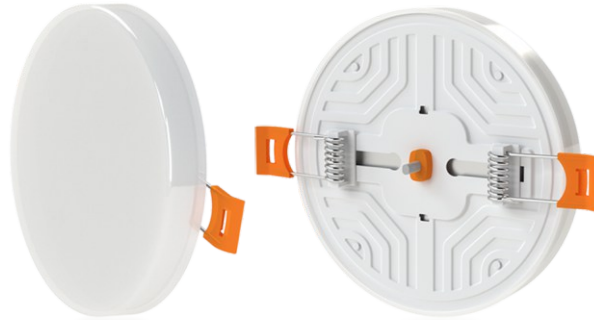


ZHONGSHAN XILE OPTOELECTRONIC TECHNOLOGY CO.,LTD.



Details

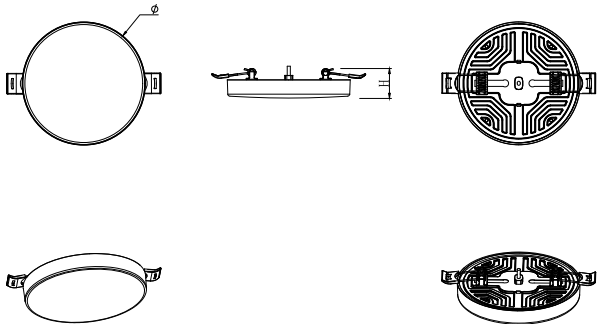
Datasheet- Small Panel Light Zeus II Series



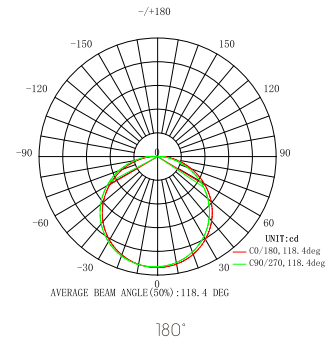
PARAMETERS:

Model No	XLRPR-10W	XLRPR-15W	XLRPR-22W	XLRPR-32W
Power	10W	15W	22W	32W
Efficacy	110LM/W	110LM/W	110LM/W	120LM/W
Power Factor	0.5/0.9			
CRI	70/80			
Beam Angle	180°			
LED	SMD2835*63	SMD2835*96	SMD2835*144	SMD2835*255
Diameter(mm)	φ100*15	φ120*15	φ170*15	φ220*15
Hole size(mm)	55MM<CUT<70MM	55MM<CUT<95MM	55MM<CUT<140MM	55MM<CUT<190MM

DIMENSIONS



LIGHTING DISTRIBUTIONS



EXPLODE



APPLICATIONS

